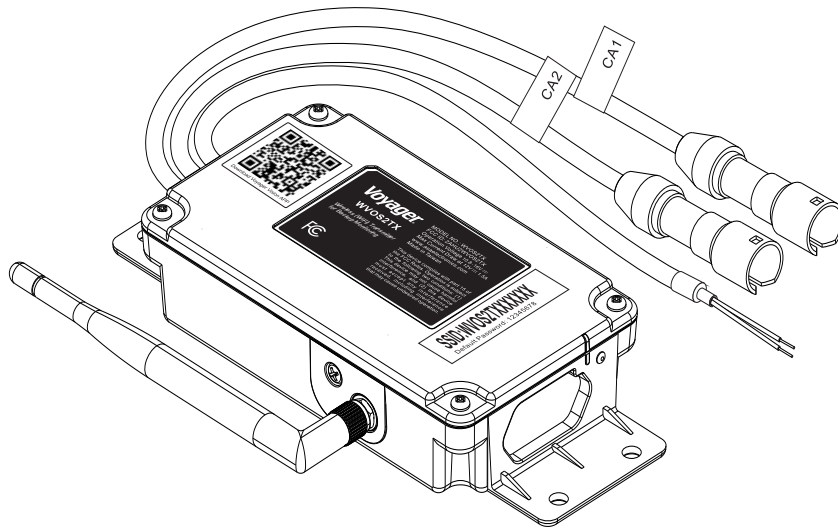


Voyager®

WVOS2TX

Wireless (WiFi) Transmitter for Backup Monitoring on smart device via Voyager Vision Mobile App Supports Up to 2-Voyager Cameras (sold separately)

Installation and Operation Manual



**ASA ELECTRONICS LLC
MOBILE APPLICATION TERMS & CONDITIONS
AND END USER LICENSE AGREEMENT**

IMPORTANT: READ ALL INSTRUCTIONS AND WARNINGS CAREFULLY BEFORE DOWNLOADING, INSTALLING OR USING THE VOYAGER VISION WIRELESS CAMERA AND THE RELATED MOBILE APPLICATION

Important Safety Information



FAILURE TO FOLLOW ALL INSTRUCTIONS AND WARNINGS BEFORE USING THE VOYAGER VISION WIRELESS CAMERA SYSTEM'S MOBILE APPLICATION/APP OR IMPROPER USE COULD RESULT IN SERIOUS PERSONAL INJURY, INCLUDING DEATH AND/OR PROPERTY DAMAGE.

WARNING: CAMERA WILL NOT WORK OR FUNCTION WITHOUT A RELIABLE POINT TO POINT WIFI CONNECTION. THE CAMERA AND ASSOCIATED MOBILE APPLICATION WORK ENTIRELY BY WAY OF WIRELESS (WIFI) TECHNOLOGY AND WILL NOT OPERATE IF WIFI CONNECTION IS LOST. THE MOBILE APP WORKS EXCLUSIVELY BY WAY OF WIFI AND DOES NOT USE BLUETOOTH® TECHNOLOGY. TECHNOLOGY LIMITATIONS INCLUDING PERFORMANCE CAPABILITY OF THE MOBILE DEVICE USED MAY RESULT IN VIDEO LATENCY, A DELAY BETWEEN REAL-TIME EVENTS AND VIDEO DISPLAYED BY THE APP.

DANGER: DO NOT RELY EXCLUSIVELY ON THE VOYAGER VISION MOBILE APPLICATION FOR SAFETY AND DO NOT USE THE MOBILE APPLICATION AS A SUBSTITUTE FOR ACTUAL VISUAL INSPECTION AND SAFETY PRECAUTIONS USED IN OPERATION OF YOUR TRAILER WITHOUT THE ASSISTANCE OF CAMERAS OR OTHER TECHNOLOGY. NEVER USE THE MOBILE APP AS A REPLACEMENT FOR CHECKING THE INTERIOR AND EXTERIOR MIRRORS, LOOKING OVER YOUR SHOULDER AND/OR USING THIRD PARTY ASSISTANCE AS APPROPRIATE BEFORE BACKING UP YOUR TRAILER. THE MOBILE APP IS NOT A REPLACEMENT FOR CAREFUL DRIVING.

WARNING: THIS MOBILE APPLICATION AND BACKUP ASSISTANCE SOLUTION IS INTENDED ONLY FOR STATIONARY (SURVEILLANCE) AND MOMENTARY LOW SPEED (BACKUP AND PARKING) ONLY. DO NOT OPERATE OR ATTEMPT TO OPERATE THE VOYAGER VISION SYSTEM AND/OR MOBILE APPLICATION WHILE UNDERWAY (FORWARD MOTION OR HIGH SPEED).

WARNING: CAREFULLY READ AND FOLLOW ALL INSTRUCTIONS AND WARNINGS ON YOUR TRAILER AND ACCOMPANYING DOCUMENTATION BEFORE AND DURING EACH USE OF YOUR TRAILER AND THE VOYAGER VISION SYSTEM'S MOBILE APPLICATION.

WARNING: AS NOTED ABOVE, THE VOYAGER VISION WIRELESS CAMERA SYSTEM AND MOBILE APPLICATION OPERATE THROUGH THE WIRELESS TRANSMISSION OF SIGNALS USING WIFI TRANSMISSIONS. IN SOME ENVIRONMENTS, RADIO FREQUENCY (RF) INTERFERENCE, IMPROPER OPERATION, FAULTY INSTALLATION AND/OR YOUR MOBILE DEVICE AND SETTINGS MAY RESULT IN WEAKER SIGNALS OR INABILITY TO RECEIVE AND/OR TRANSMIT SIGNALS.

WARNING: YOU ARE SOLELY RESPONSIBLE FOR THE OPERATION OF YOUR MOBILE DEVICES AND TO UPDATE THE MOBILE APPLICATION PERIODICALLY TO ENSURE THERE ARE NO COMPATIBILITY ISSUES.

WARNING: THE VOYAGER VISION WIRELESS CAMERA SYSTEM AND MOBILE APPLICATION ARE INTENDED FOR ADULT USE ONLY AND ARE NOT TO BE USED BY PERSONS UNDER AGE 18. USE BY CHILDREN MAY CAUSE SERIOUS PERSONAL INJURY AND/OR PROPERTY DAMAGE.

WARNING: DO NOT OPERATE YOUR VEHICLE, TRAILER, OR INSTALL THE VOYAGER VISION SYSTEM OR USE THE MOBILE APPLICATION WHILE UNDER THE INFLUENCE OF ALCOHOL OR DRUGS. DOING SO MAY RESULT IN SERIOUS PERSONAL INJURY AND/OR PROPERTY DAMAGE.

IMPORTANT: Signal range may vary due to environmental and other factors. Connection issues can be caused by competing wireless signals and even other structures and electronics systems installed in your vehicle. Issues like this may result in frequent disconnects or slow connection speeds. Company does not and cannot control the strength of WiFi connections, signal connections or signal strength. Company does not and cannot control the actions of third parties. Therefore, Company disclaims all liability for loss of data, corruption of data, or inoperability of the Device and/or the Mobile Application, as a result of disruptions, slowdowns, breakdowns, or other technical issues affecting the Internet, WiFi transmissions or wireless services provided by third party wireless carriers. Company also disclaims all liability in connection with the actions of third parties including any malicious pairing, unauthorized use/access and/or any security breach.

This Mobile Application Terms and Conditions and End User License Agreement ("Agreement") is a binding agreement between you ("End User" or "you") and ASA ELECTRONICS LLC, its subsidiaries and affiliates (collectively "ASA," "We," or "Company"). This Agreement governs your use of the VOYAGER VISION WIRELESS CAMERA SYSTEM (the "Device") and MOBILE APPLICATION software on your mobile devices, computers and/or the VOYAGER device hardware, (including all associated software components, software licensed by ASA from third parties if any and related/associated documentation, the "Application"). The Application is licensed, not sold, to you.

BY CLICKING THE "AGREE" BUTTON AND DOWNLOADING/INSTALLING/USING THE APPLICATION, YOU (A) ACKNOWLEDGE THAT YOU HAVE READ AND UNDERSTAND THIS AGREEMENT; (B) REPRESENT THAT YOU ARE 18 YEARS OF AGE OR OLDER/OF LEGAL AGE TO ENTER INTO A BINDING AGREEMENT; AND (C) ACCEPT THIS AGREEMENT AND AGREE THAT YOU ARE LEGALLY BOUND BY ITS TERMS. IF YOU DO NOT AGREE TO THESE TERMS, DO NOT DOWNLOAD/INSTALL/USE THE APPLICATION AND DELETE IT FROM YOUR MOBILE DEVICE.

1. Limited License. Subject to the terms of this Agreement and our Privacy Policy, Company grants you a limited, non-exclusive, non-sublicensable, non-assignable and non-transferable license to:

- (a) download and install the Application for your personal, non-commercial use on a single mobile device owned or otherwise controlled by you ("Mobile Device") strictly in accordance with the Application's documentation; and
 - (b) use the Application in machine-readable form and its Content on a single Mobile Device.
2. License Restrictions. Licensee shall not:
 - (a) copy the Application, except as expressly permitted by this license
 - (b) modify, translate, adapt, or otherwise create derivative works or improvements whether or not patentable, of the Application
 - (c) reverse engineer, disassemble, decompile, decode, or otherwise attempt to derive or gain access to the source code of the Application or any part thereof
 - (d) remove, delete, alter, or obscure any trademarks or any copyright, trademark, patent, or other intellectual property or proprietary rights notices from the Application, including any copy thereof
 - (e) rent, lease, lend, sell, sublicense, assign, distribute, publish, transfer, or otherwise make available the Application, or any features or functionality of the Application, to any third party for any reason, including by making the Application available on a network (except as otherwise permitted by the Application and/or this Agreement) where it is capable of being accessed by more than one device at any time; or
 - (f) remove, disable, circumvent, or otherwise create or implement any workarounds to any copy protection, rights management, or security features in or protecting the Application
3. Reservation of Rights. You acknowledge and agree that the Application is provided under license, and not sold, to you. You do not acquire any ownership interest in the Application and/or its underlying source code under this Agreement, or any other rights thereto other than to use the Application in accordance with the license granted, and subject to all terms, conditions, and restrictions, under this Agreement. Company and its licensors and service providers reserve[s] and shall retain their entire right, title, and interest in and to the Application, including all copyrights, trademarks, and other intellectual property rights therein or relating thereto, except as expressly granted to you in this Agreement. Although the Mobile Application is provided free of charge, Company reserves the right to charge for the Mobile Application in the future in its sole discretion.
4. Collection and Use of Your Information. The Application does not collect personally identifiable information about you, and we do not sell any non-personally identifiable information. Any information that you provide to us or that may be collected about you, if any, through access to and use of the Application is subject to our Privacy Policy, the terms of which are hereby incorporated by reference into this Agreement. We encourage you to read and become familiar with our Privacy Policy.

By downloading the Application, you agree to be bound by and agree to required third party terms and conditions, if any, and all applicable third-party privacy policies.
5. Updates. Company may from time to time in its sole discretion develop and provide Application updates, which may include upgrades, bug fixes, patches, other error corrections, and/or new features (collectively, including related documentation, "Updates"). Updates may also modify or delete in their entirety certain features and functionality. You agree that Company has no obligation to provide any Updates or to continue to provide or enable any particular features or functionality. Based on your Mobile Device settings when your Mobile Device is connected to the internet either:
 - (a) the Application will automatically download and install all available Updates; or
 - (b) you may receive notice of or be prompted to download and install available Updates.You shall promptly download and install all Updates and acknowledge and agree that the Application or portions thereof may not properly operate should you fail to do so. You further agree that all Updates will be deemed part of the Application and be subject to all terms and conditions of this Agreement.
6. Third-Party Materials. The Application may display, include, or make available third-party content (including data, information, applications, and other products, services, and/or materials) or provide links to third-party websites or services, including through third-party advertising ("Third-Party Materials"). You acknowledge and agree that Company is not responsible for Third-Party Materials, including their accuracy, completeness, timeliness, validity, copyright compliance, legality, decency, quality, or any other aspect thereof. Company does not assume and will not have any liability or responsibility to you or any other person or entity for any Third-Party Materials. Third-Party Materials and links thereto are provided solely as a convenience to you, and you access and use them entirely at your own risk and subject to such third parties' terms and conditions.
7. Term and Termination.
 - (a) The term of Agreement commences when you download/install the Application/acknowledge your acceptance and will continue in effect until terminated by you or Company as set forth in this Section 7.
 - (b) You may terminate this Agreement by deleting the Application and all copies thereof from your Mobile Device.
 - (c) Company may terminate this Agreement at any time without notice if it ceases to support the Application, which Company may do in its sole discretion. In addition, this Agreement will terminate immediately and automatically without any notice if you violate any of the terms and conditions of this Agreement.
 - (d) Upon termination:
 - (i) all rights granted to you under this Agreement will also terminate; and
 - (ii) you must cease all use of the Application and delete all copies of the Application from your Mobile Device and account.
 - (e) Termination will not limit any of Company's rights or remedies at law or in equity.
8. Disclaimer of Warranties. EXCEPT AS OTHERWISE EXPRESSLY WARRANTED IN THE DOCUMENTATION ACCOMPANYING THE DEVICE, THE DEVICE AND APPLICATION ARE PROVIDED TO LICENSEE "AS IS" AND WITH ALL FAULTS AND DEFECTS WITHOUT WARRANTY OF ANY KIND. TO THE MAXIMUM EXTENT PERMITTED UNDER APPLICABLE LAW, COMPANY, ON ITS OWN BEHALF AND ON BEHALF OF ITS AFFILIATES AND THEIR RESPECTIVE LICENSORS AND SERVICE PROVIDERS, EXPRESSLY DISCLAIMS ALL WARRANTIES, WHETHER EXPRESS, IMPLIED, STATUTORY, OR OTHERWISE, WITH RESPECT TO THE DEVICE AND APPLICATION, INCLUDING ALL IMPLIED WARRANTIES OF MERCHANTABILITY, FITNESS FOR A PARTICULAR PURPOSE, TITLE, AND NON-INFRINGEMENT, AND WARRANTIES THAT MAY ARISE OUT OF COURSE OF DEALING, COURSE OF PERFORMANCE, USAGE, OR TRADE PRACTICE. WITHOUT LIMITATION TO THE FOREGOING, COMPANY PROVIDES NO WARRANTY OR UNDERTAKING, AND MAKES NO REPRESENTATION OF ANY KIND THAT THE DEVICE OR APPLICATION WILL MEET YOUR REQUIREMENTS, ACHIEVE ANY INTENDED RESULTS, BE COMPATIBLE, OR WORK WITH ANY OTHER SOFTWARE, APPLICATIONS, SYSTEMS, OR SERVICES. OPERATE WITHOUT INTERRUPTION, MEET ANY PERFORMANCE OR RELIABILITY STANDARDS OR BE ERROR-FREE, OR THAT ANY ERRORS OR DEFECTS CAN OR WILL BE CORRECTED. SOME JURISDICTIONS DO NOT ALLOW THE EXCLUSION OF OR LIMITATIONS ON IMPLIED WARRANTIES OR THE LIMITATIONS ON THE APPLICABLE STATUTORY RIGHTS OF A CONSUMER, SO SOME OR ALL OF THE ABOVE EXCLUSIONS AND LIMITATIONS MAY NOT APPLY TO YOU.

9. Limitation of Liability. TO THE FULLEST EXTENT PERMITTED BY APPLICABLE LAW, IN NO EVENT WILL COMPANY OR ITS AFFILIATES, OR ANY OF ITS OR THEIR RESPECTIVE LICENSORS OR SERVICE PROVIDERS, HAVE ANY LIABILITY ARISING FROM OR RELATED TO YOUR USE OF OR INABILITY TO USE THE DEVICE OR APPLICATION FOR:

(a) PERSONAL INJURY, PROPERTY DAMAGE, LOST PROFITS, COST OF SUBSTITUTE GOODS OR SERVICES, LOSS OF DATA, LOSS OF GOODWILL, BUSINESS INTERRUPTION, COMPUTER FAILURE OR MALFUNCTION, OR ANY OTHER CONSEQUENTIAL, INCIDENTAL, INDIRECT, EXEMPLARY, SPECIAL, OR PUNITIVE DAMAGES.

(b) DIRECT DAMAGES IN AMOUNTS THAT IN THE AGGREGATE EXCEED THE AMOUNT ACTUALLY PAID BY YOU FOR THE DEVICE.

THE FOREGOING LIMITATIONS WILL APPLY WHETHER SUCH DAMAGES ARISE OUT OF BREACH OF CONTRACT, TORT (INCLUDING NEGLIGENCE), OR OTHERWISE AND REGARDLESS OF WHETHER SUCH DAMAGES WERE FORESEEABLE OR COMPANY WAS ADVISED OF THE POSSIBILITY OF SUCH DAMAGES. SOME JURISDICTIONS DO NOT ALLOW CERTAIN LIMITATIONS OF LIABILITY SO SOME OR ALL OF THE ABOVE LIMITATIONS OF LIABILITY MAY NOT APPLY TO YOU.

10. Indemnification. You agree to indemnify, defend, and hold harmless Company and its officers, directors, employees, agents, affiliates, successors, and assigns from and against any and all losses, damages, liabilities, deficiencies, claims, actions, judgments, settlements, interest, awards, penalties, fines, costs, or expenses of whatever kind, including reasonable attorneys' fees, arising from or relating to your use or misuse of the Device and/or Application or your breach of this Agreement.

11. Export Regulation. The Application may be subject to US export control laws, including the US Export Administration Act and its associated regulations. You shall not, directly or indirectly, export, re-export, or release the Application to, or make the Application accessible from, any jurisdiction or country to which export, re-export, or release is prohibited by law, rule, or regulation. You shall comply with all applicable federal laws, regulations, and rules, and complete all required undertakings (including obtaining any necessary export license or other governmental approval), prior to exporting, re-exporting, releasing, or otherwise making the Application available outside the US.

12. US Government Rights. The Application is commercial computer software, as such term is defined in 48 C.F.R. §2.101. Accordingly, if you are an agency of the US Government or any contractor thereof, you receive only those rights with respect to the Application as are granted to all other end users under license, in accordance with (a) 48 C.F.R. §227.7201 through 48 C.F.R. §227.7204, with respect to the Department of Defense and their contractors, or (b) 48 C.F.R. §12.212, with respect to all other US Government licensees and their contractors.

13. Severability. If any provision of this Agreement is illegal or unenforceable under applicable law, the remainder of the provision will be amended to achieve as closely as possible the effect of the original term and all other provisions of this Agreement will continue in full force and effect; provided, however, that if any fundamental term or provision of this Agreement is invalid, illegal, or unenforceable, the remainder of this Agreement shall be unenforceable.

14. Governing Law & Jurisdiction. Any dispute, claim or controversy arising out of or relating to this Agreement or the breach, termination, enforcement, interpretation or validity thereof, including the determination of the scope or applicability of this agreement to arbitrate, shall be determined by arbitration conducted in the State of Indiana before one arbitrator selected by Company. The arbitration shall be administered by JAMS pursuant to its Comprehensive Arbitration Rules and Procedures and in accordance with the Expedited Procedures in those Rules. Judgment on any award shall be binding, final and entered in any court of competent jurisdiction. The parties shall maintain the confidential nature of the arbitration proceeding and any award, including the hearing, except as may be necessary to prepare for or conduct the arbitration hearing on the merits, or except as may be necessary in connection with a court application for a preliminary remedy, a judicial challenge to an award or its enforcement, or unless otherwise required by law or judicial decision. This Agreement and the rights of the parties hereunder shall be governed by and construed in accordance with the laws of the State of Indiana, exclusive of conflict or choice of law rules. The parties acknowledge that this Agreement evidences a transaction involving interstate commerce. Notwithstanding the provision in the preceding paragraph with respect to applicable substantive law, any arbitration conducted pursuant to the terms of this Agreement shall be governed by the Federal Arbitration Act (9 U.S.C., Secs.1-16).

15. Limitation of Time to File Claims. ANY CAUSE OF ACTION OR CLAIM YOU MAY HAVE ARISING OUT OF OR RELATING TO THIS AGREEMENT OR THE DEVICE AND/OR APPLICATION MUST BE COMMENCED WITHIN ONE (1) YEAR AFTER THE CAUSE OF ACTION ACCRUES OTHERWISE SUCH CAUSE OF ACTION OR CLAIM IS PERMANENTLY BARRED.

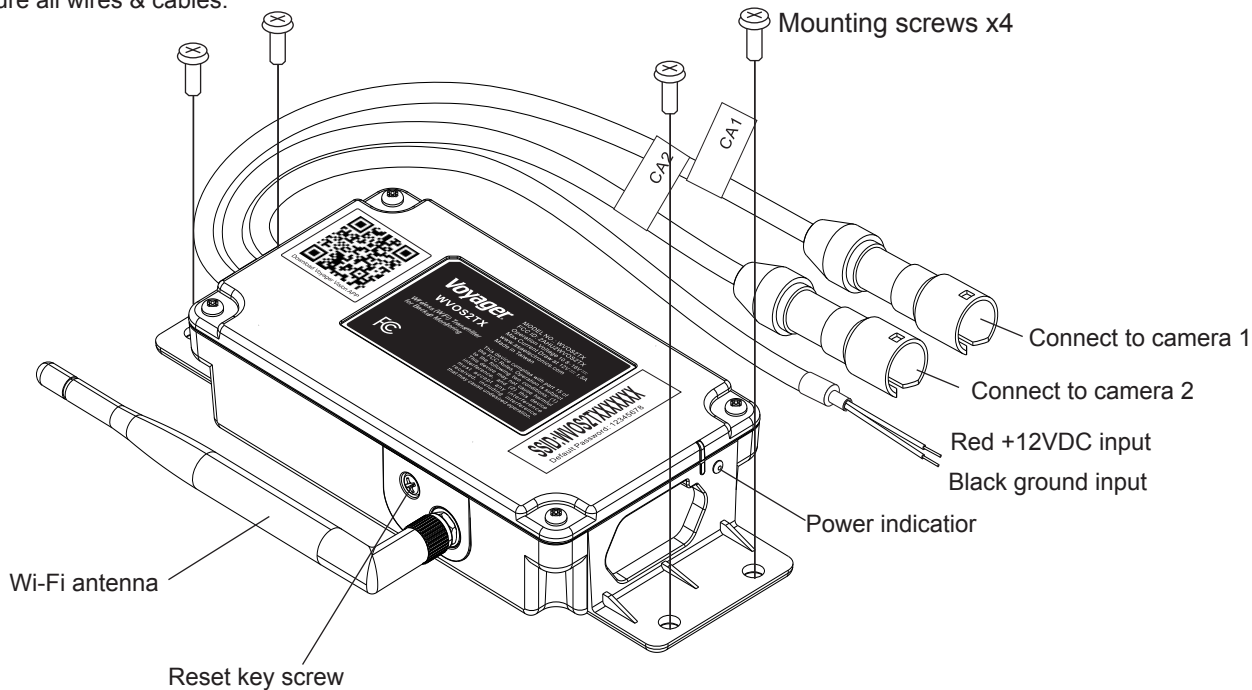
16. Entire Agreement. This Agreement constitutes the entire agreement between you and Company with respect to the Application and supersedes all prior or contemporaneous understandings and agreements, whether written or oral, with respect to the Application.

17. Waiver. No failure to exercise, and no delay in exercising, on the part of either party, any right or any power hereunder shall operate as a waiver thereof, nor shall any single or partial exercise of any right or power hereunder preclude further exercise of that or any other right hereunder. In the event of a conflict between this Agreement and any applicable purchase or other terms, the terms of this Agreement shall govern.

Effective Date: May 2020

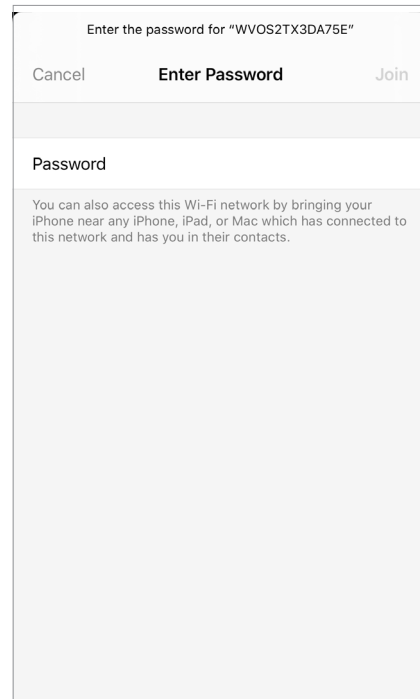
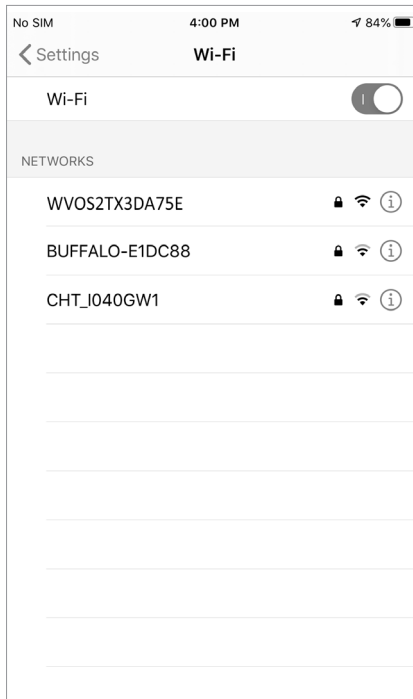
• INSTALLATION

1. Mount the transmitter using 4 screws in a safe location to avoid impacts. Note: The WVOS2TX is IPX6 waterproof and can be mounted in locations exposed to moisture.
2. Mount the transmitter in a position so that the antenna is vertical to the ground.
3. Connect 12 volts to the red wire and chassis ground to the black wire.
4. Connect the camera cables. Note: Cameras are sold separately.
5. Secure all wires & cables.



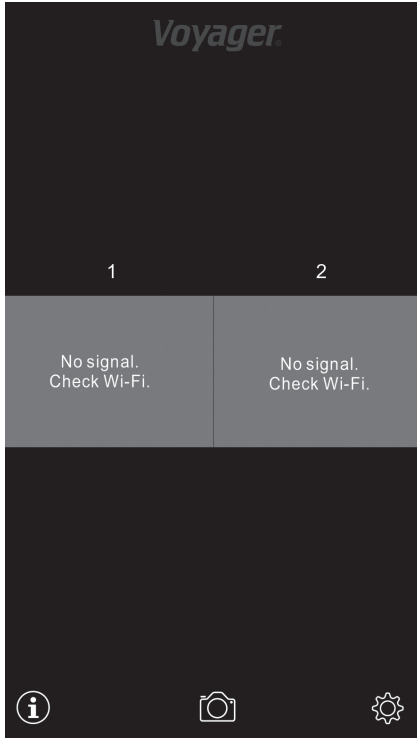
• CONNECTING THE MOBILE APP

Scan the QR Code on top of the WVOS2TX with your mobile device for a download link to the Voyager Vision app on the app store. Once the app is downloaded, go into Wi-Fi settings on device and search for available Wi-Fi Networks. The WVOS2TX will appear as an available Wi-Fi Network in the format of WVOS2TXXXXXXX. Once Selected, enter the password and press Join. The default password is 12345678.

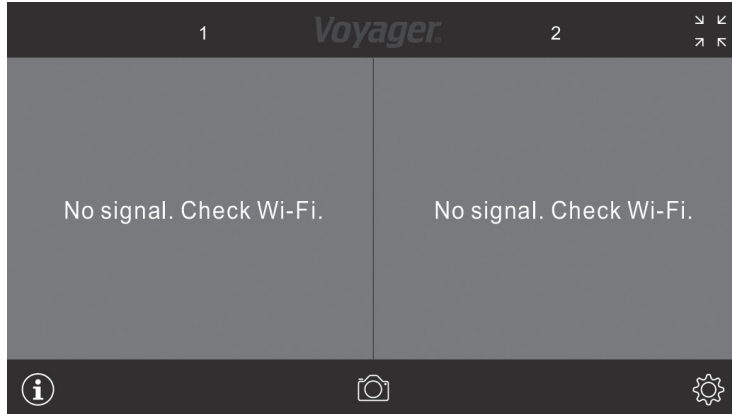


• HOME PAGE

Once the app is open, the home page will appear. The home page has Camera 1 and 2 images, a Camera Icon, an Info icon, and a Settings icon.



(Vertical Screen)

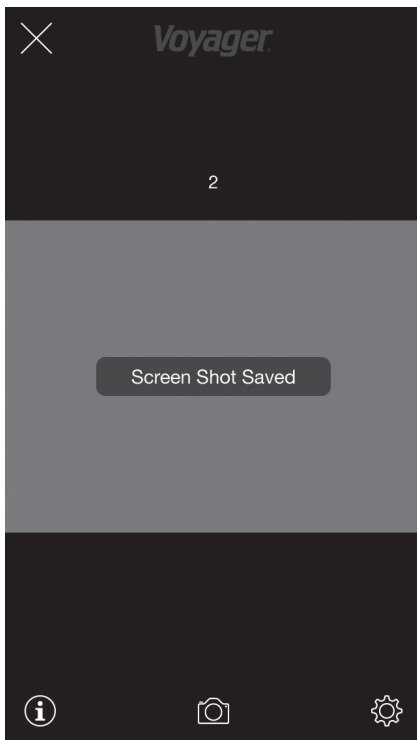


(Horizontal Screen)

Note: First time opening the app and if the app is not connected with WVOS2TX Wi-Fi, the app screen will show blue screen with "No Signal. Check Wi-Fi."

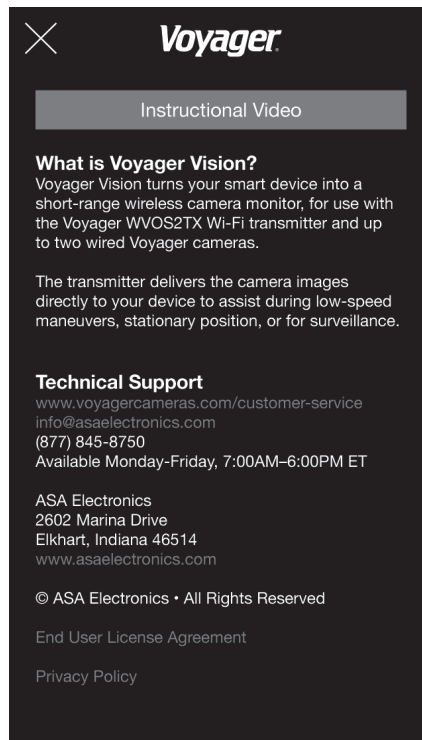
• SCREEN SHOT

Press the Camera Icon to take a screenshot of the camera image. The screenshot will be stored in the internal memory of the device.



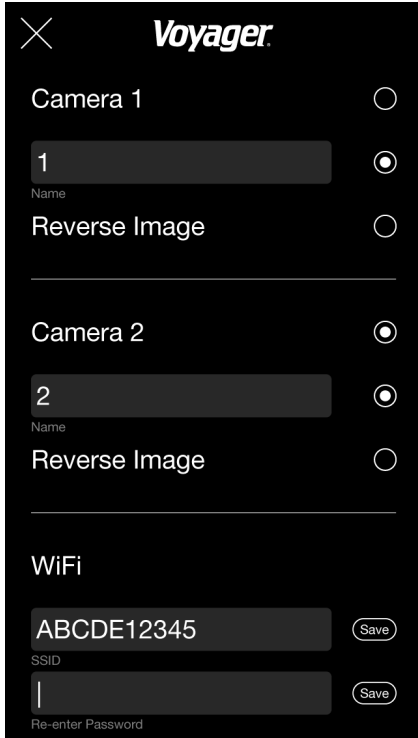
• INFO

Pressing the Info icon will bring up the Info page for the app. Press the X at the top left corner of the page to go back to the Home Page.



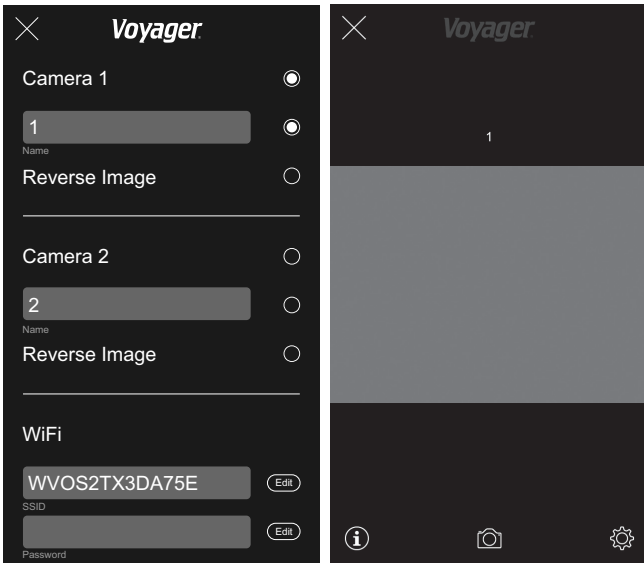
• SETTINGS

Press the Settings Icon to view the Settings Page. In the Settings page, the camera image that appears on the home screen can be selected.

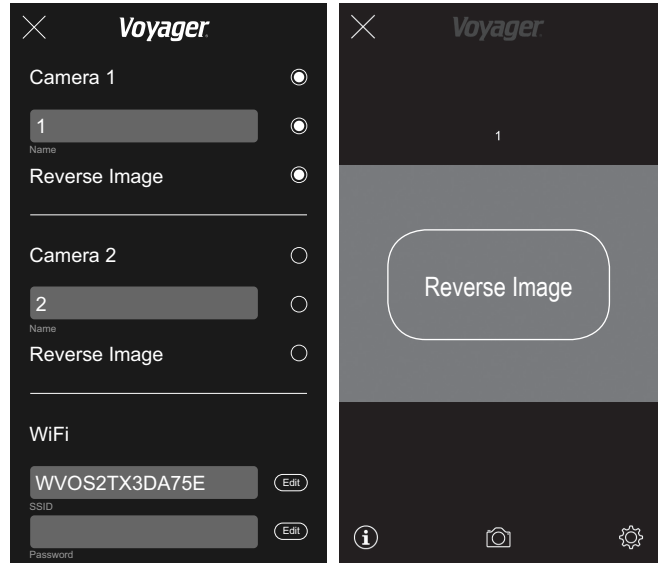


• SETTINGS CONT.

The camera name can be edited and selected to show on the home page.



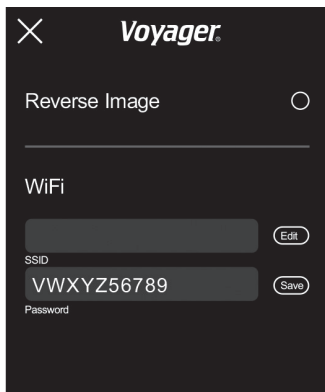
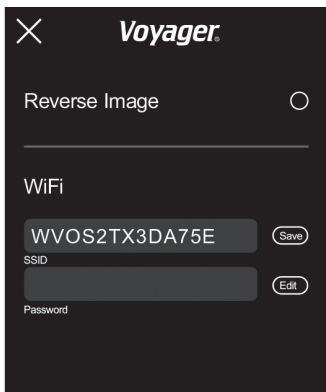
The Camera image can be reversed.



• SETTINGS CONT. (SSID)

The SSID (Wi-Fi Network) Name can be edited. This will change how the WVOS2TX Wi-Fi name will appear when searching for available Wi-Fi networks.

The Wi-Fi password that is required when joining the WVOS2TX Wi-Fi Network can be edited.



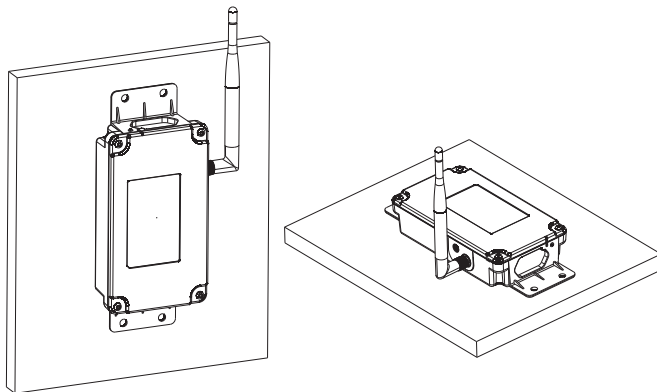
• SPECIFICATION

- Power System : 12VDC
- Operating Voltage Range: 10.8~16VDC
- Power Consumption (MAX): 12VDC / 1.5A
- Operation Temperature Range : 5 °F to 149 °F
- Storage Temperature Range : -40 °F to 185 °F
- Waterproof Rating : IPX6
- Overall Dimensions : 1.2" x 7.8" x 4.3"
- Product Weight (unpacked) : 9.2oz

• TROUBLESHOOTING

Not able to find WVOS2TX Wi-Fi Network:

- Verify that the WVOS2TX is powered on by the red indicator light.
- Verify the Wi-Fi antenna is properly secured to the WVOS2TX.
- Make sure the antenna is pointing vertically in relation to the ground. (See image)



WVOS2TX not powering on:

- Verify with a multi-meter there is +12V at the red power wire.
- Verify with a multi-meter there is Ground at the black ground wire.

No camera image:

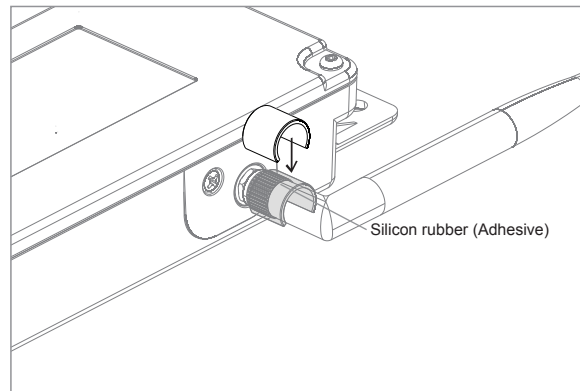
- Verify the camera extension cable (CEC) fully inserted into the camera input connector on the WVOS2TX.
- Verify the camera is fully inserted into the camera extension cable.





Forgot Password:

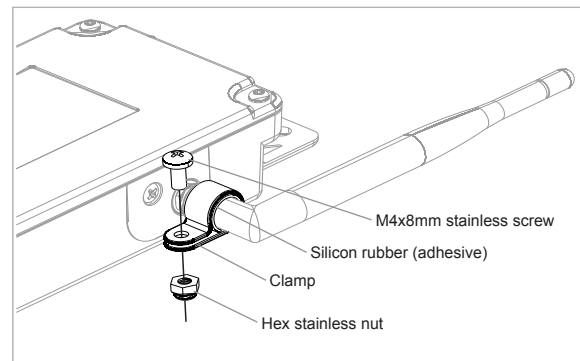
If the Wi-Fi password is forgotten or an error happened when changing the SSID name, the WVOS2TX can be reset. Refer to the image on Page 1. Remove the reset screw, then press and release the reset button. This will take the WVOS2TX back to the default SSID name and Wi-Fi password. Make sure to install screw back when finished.

Antenna not staying in place.

An optional antenna collar can be added to the antenna to hold it in place.



			
x1	x1	x1	x1
Silicon rubber (adhesive)	Clamp	M4x8mm stainless screw	HEX stainless nut



• FCC NOTES

WARNING! Changes or modifications to this unit not expressly approved by the party responsible for compliance could void the user's authority to operate the equipment.

NOTE: This equipment has been tested and found to comply with the limits for a Class B digital device, pursuant to Part 15 of the FCC Rules. These limits are designed to provide reasonable protection against harmful interference in a residential installation.

IMPORTANT NOTE:

To comply with the FCC RF exposure compliance requirements, the antenna(s) used for this transmitter must be installed to provide a separation distance of at least 20 cm from all persons and must not be co-located or operating in conjunction with any other antenna or transmitter. No change to the antenna or the device is permitted. Any change to the antenna or the device could result in the device exceeding the RF exposure requirements and void user's authority to operate the device.

Any changes or modifications not expressly approved by the grantee of this device could void the user's authority to operate the equipment.

FEDERAL COMMUNICATIONS COMMISSION INTERFERENCE STATEMENT

This equipment has been tested and found to comply with the limits for a Class B digital device, pursuant to part 15 of the FCC Rules. These limits are designed to provide reasonable protection against harmful interference in a residential installation. This equipment generates, uses and can radiate radio frequency energy and, if not installed and used in accordance with the instructions, may cause harmful interference to radio communications. However, there is no guarantee that interference will not occur in a particular installation. If this equipment does cause harmful interference to radio or television reception, which can be determined by turning the equipment off and on, the user is encouraged to try to correct the interference by one or more of the following measures:

- Reorient or relocate the receiving antenna.
- Increase the separation between the equipment and receiver.
- Connect the equipment into an outlet on a circuit different from that to which the receiver is connected.
- Consult the dealer or an experienced radio/ TV technician for help.



2602 Marina Drive • Elkhart, IN 46514
www.asaelectronics.com

Features and specifications subject to change without notice.
For further technical support call: 1-877-305-0445

600-2300002-001
R x0.05
09/15/2020